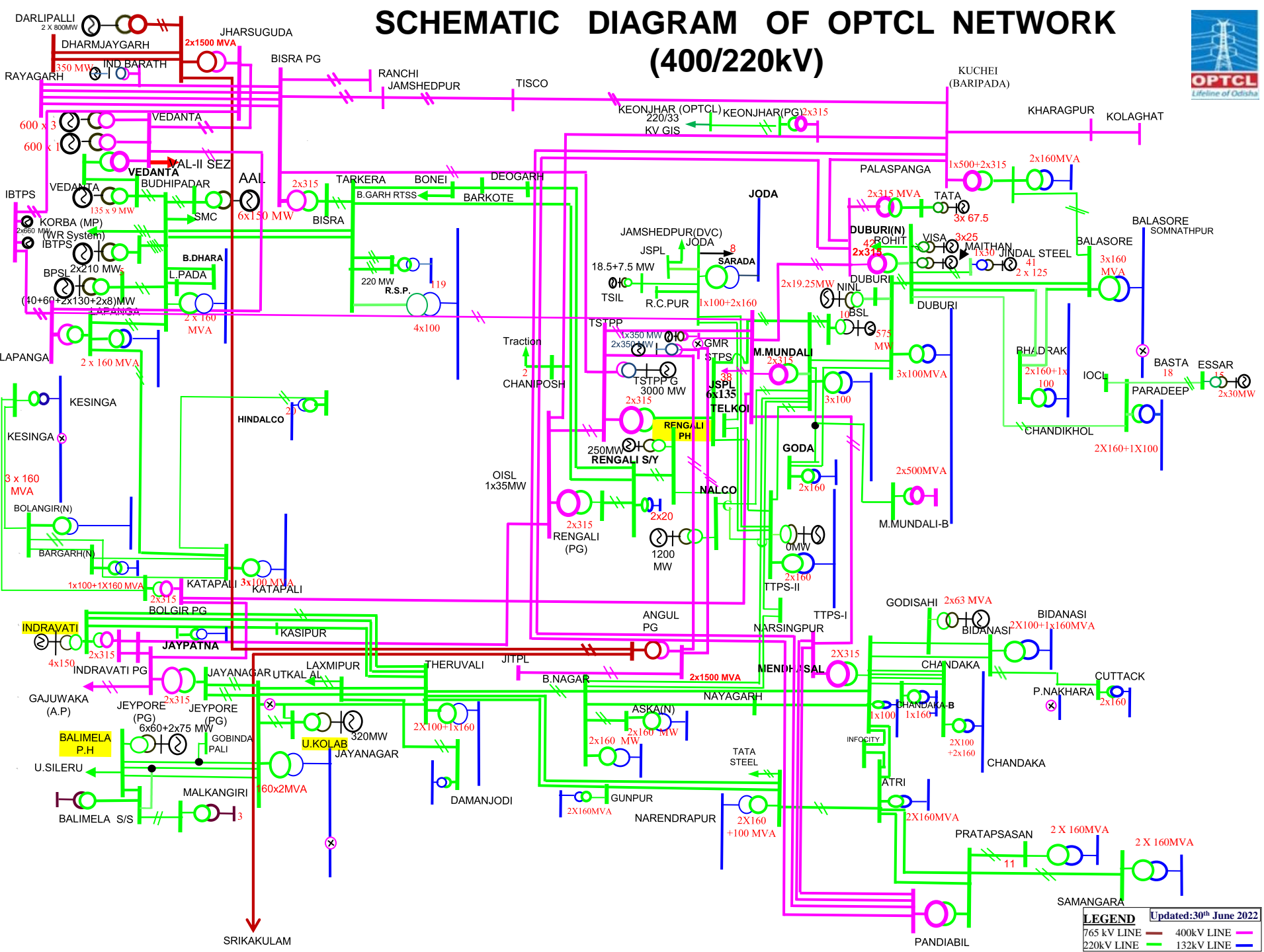


# SCHEMATIC DIAGRAM OF OPTCL NETWORK (400/220kV)



LEGEND		Updated: 30 <sup>th</sup> June 2022	
<span style="color: red;">—</span>	765 kV LINE	<span style="color: green;">—</span>	400kV LINE
<span style="color: blue;">—</span>	220kV LINE	<span style="color: purple;">—</span>	132kV LINE

# SCHEMATIC DIAGRAM OF OPTCL NETWORK (132kV)

