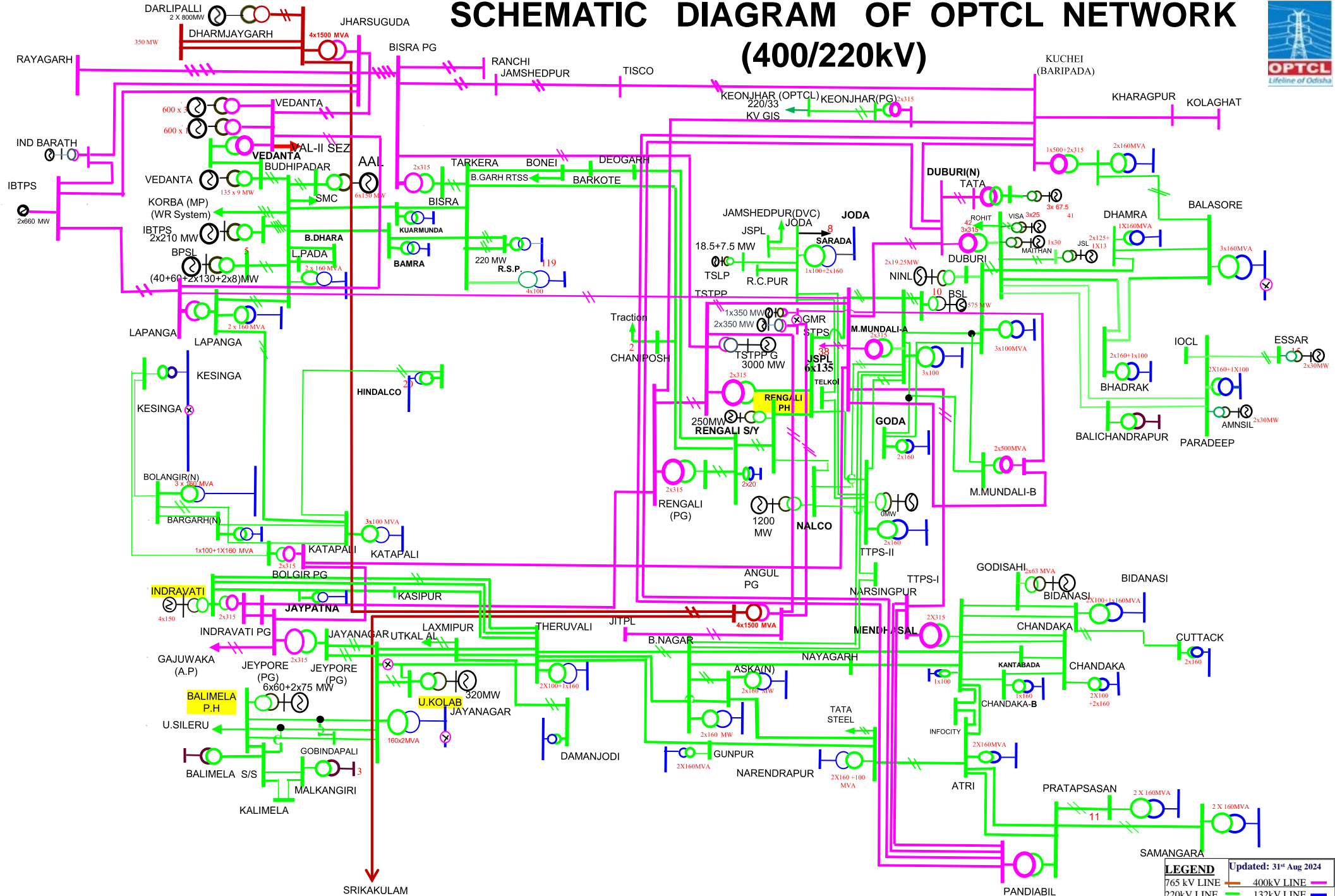
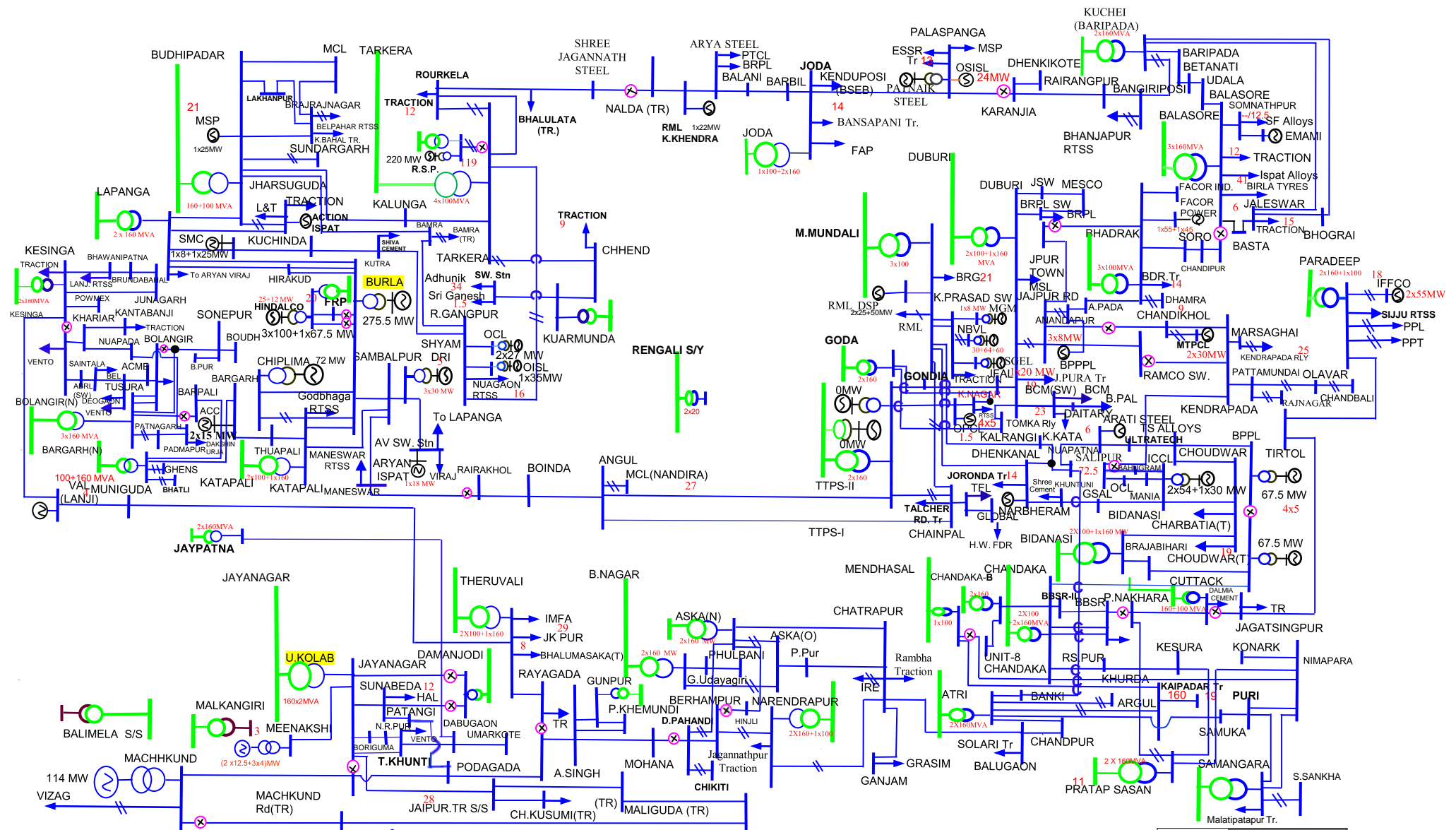


SCHEMATIC DIAGRAM OF OPTCL NETWORK (400/220kV)



LEGEND		Updated: 31 st Aug 2024
765 kV LINE	400kV LINE	
220kV LINE	132kV LINE	

SCHEMATIC DIAGRAM OF OPTCL NETWORK (132kV)



LEGEND Updated: 31st Aug 2024

- 765 kV LINE
- 400kV LINE
- 220kV LINE
- 132kV LINE