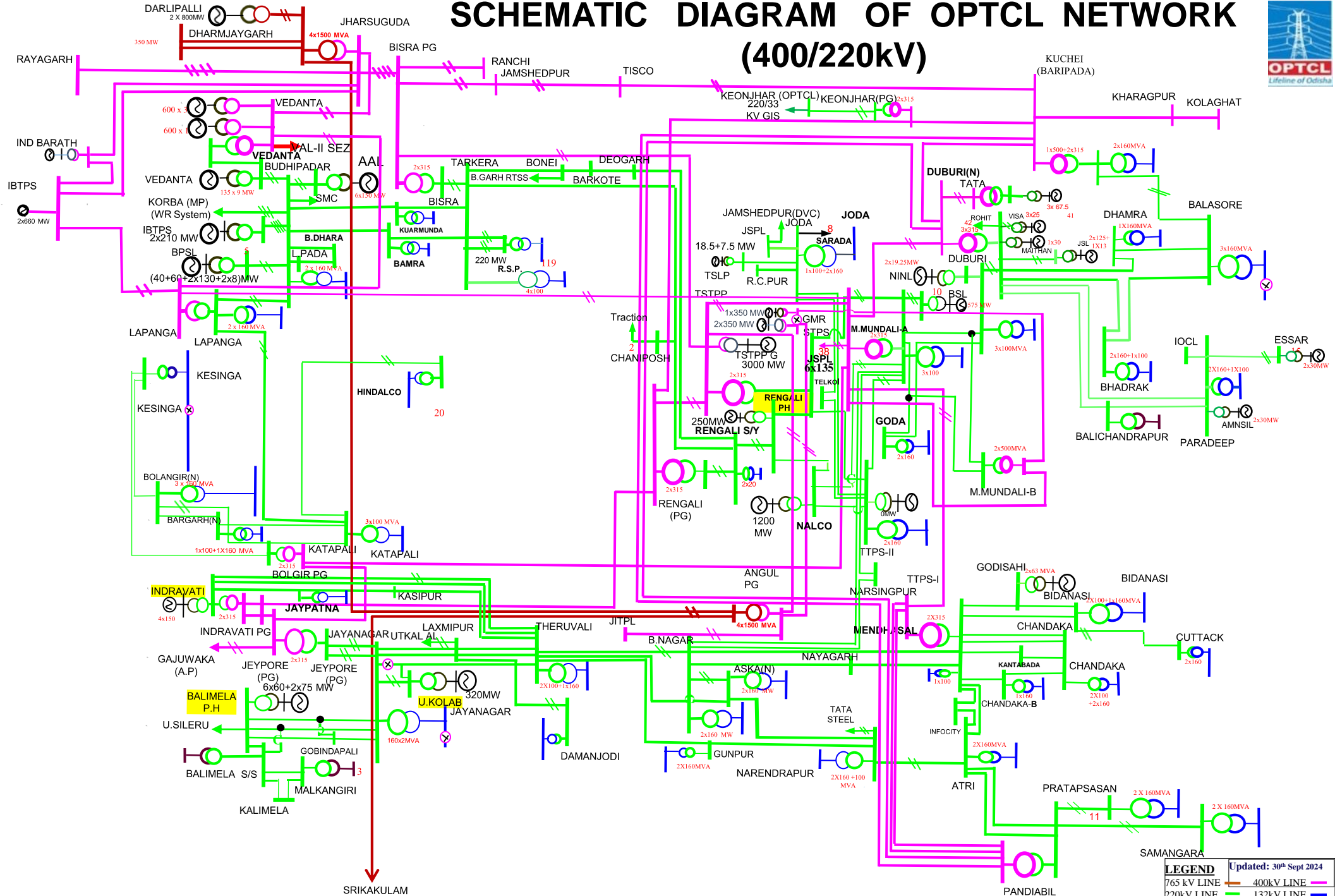
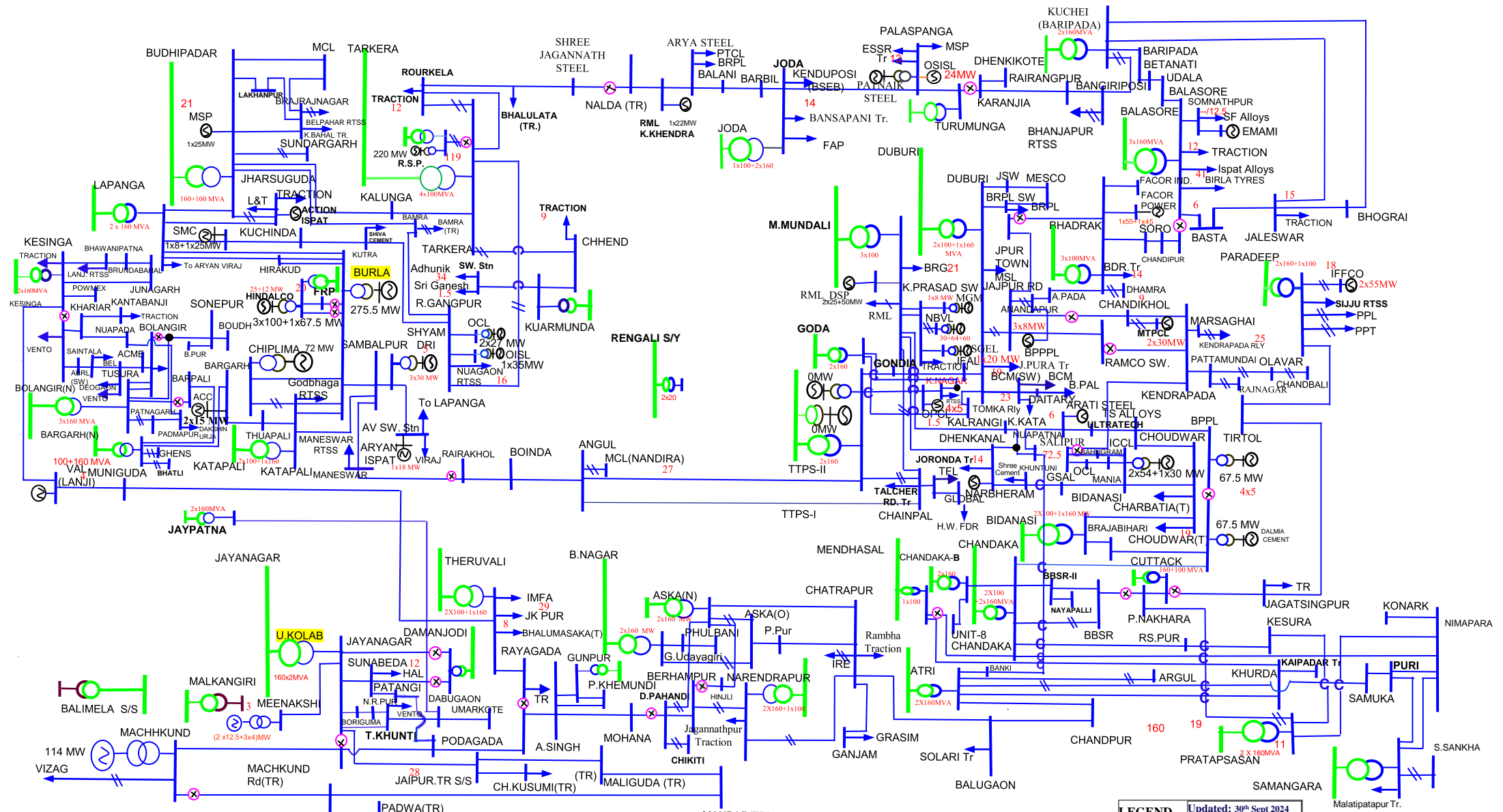


# SCHEMATIC DIAGRAM OF OPTCL NETWORK (400/220kV)



| LEGEND      |            | Updated: 30 <sup>th</sup> Sept 2024 |
|-------------|------------|-------------------------------------|
| 765 kV LINE | 400kV LINE |                                     |
| 220kV LINE  | 132kV LINE |                                     |

# SCHEMATIC DIAGRAM OF OPTCL NETWORK (132kV)



**LEGEND** Updated: 30<sup>th</sup> Sept 2024

|             |            |            |            |
|-------------|------------|------------|------------|
| 765 kV LINE | 400kV LINE | 220kV LINE | 132kV LINE |
|-------------|------------|------------|------------|